

PyroBus

Non-Contact Temperature Sensor with RS485 Modbus Interface



An innovative range of compact infrared pyrometers with built-in digital communications for easy systems integration

- Wide temperature range from -20°C to 500°C
- Built-in RS485 Modbus RTU Interface
- Configurable emissivity setting and signal processing
- Max; min; average and instantaneous readings; peak or valley hold; reflected energy compensation
- 2:1, 15:1 or 30:1 optics
- Fast response with high stability
- Stainless steel housing, sealed to IP65
- Quick and easy installation
- Optional air/water cooled housing, air purge collar, laser sighting tool and mounting brackets
- Optional PM240 Touch-Screen Terminal for configuring and displaying data from up to eight PyroBus sensors



The PyroBus Series is a range of high quality, low cost, compact sensors which measure the temperature of inaccessible or moving objects and materials. They measure temperatures from -20°C to 500°C, accurately and consistently, with an outstanding response time of 240 ms.

Two-way digital communications via a built-in RS485 Modbus RTU interface enables the user to adjust the emissivity setting; compensate for reflected energy; apply filtering; select maximum, minimum, average or instantaneous readings; and peak or valley hold processing. Up to thirty two sensors can be installed on a single multidrop network.

All PyroBus sensors are fitted with precision Germanium lenses for accurate optics. Model PB21 has 2:1 optics making it suitable for most applications where the sensor can be mounted close to the target. Model PB151 is designed for small or distant targets and has an optical resolution of 15:1. Model PB301 is designed for very small or distant targets and has an optical resolution of 30:1.

These compact sensors are small enough to fit almost anywhere and their rugged stainless steel housings make them ideal for applications where cleanliness and hygiene are paramount.

GENERAL SPECIFICATIONS

Temperature Range	-20°C to 500°C
Interface	RS485 Modbus RTU
Accuracy	±1% of reading or ±1°C whichever is greater
Repeatability	± 0.5% of reading or ± 0.5°C whichever is greater
Emissivity	0.2 to 1.0
Response Time, t₉₀	240 ms (90% response)
Spectral Range	8 to 14 μm
Supply Voltage	12 V DC nominal (6 - 13 V DC)
Supply Current	50 mA max.
Baud Rate	9600 baud *
Format	8 data bits, no parity, 1 stop bit *

MECHANICAL

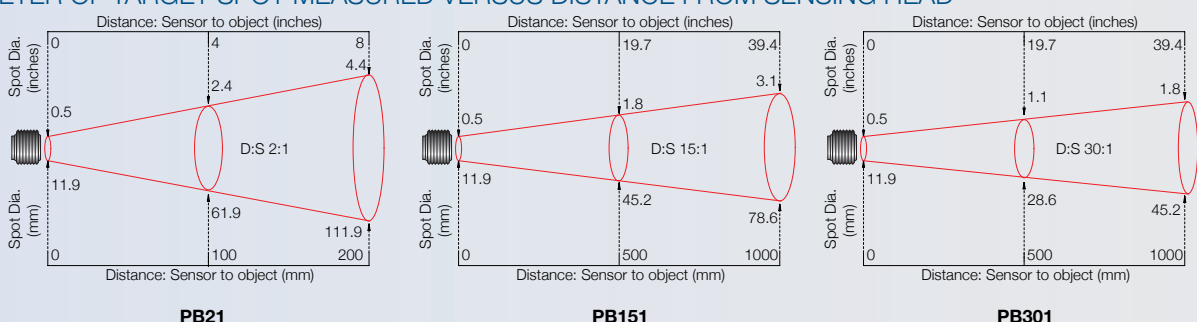
Construction	Stainless Steel
Dimensions	18 mm diameter x 103 mm long
Thread Mounting	M16 x 1 mm pitch
Cable Length	1 m
Weight with Cable	95 g

ENVIRONMENTAL

Environmental Rating	IP65
Ambient Temperature	0°C to 70°C
Relative Humidity	95% max. non-condensing

* Other configurations available upon request

DIAMETER OF TARGET SPOT MEASURED VERSUS DISTANCE FROM SENSING HEAD





The PM240 is a 320x240 pixel touch-screen terminal with a 3.5" colour TFT display. It allows the user to display data from up to eight PyroBus sensors and configure each sensor individually. The configuration parameters include emissivity setting, signal averaging, peak or valley hold processing and reflected energy compensation.

There are two versions available. Each one provides all of the features above, however, the enhanced PM240E also provides analogue transmission for up to four sensors, plus two adjustable alarm outputs per sensor for all eight sensors.

PM240 SPECIFICATIONS

Display

LCD type TFT 320 x 240, 3.5" touch screen
Resistive

Supply Voltage

12 to 24 V DC

Power Consumption

8 W

Ambient Temperature Range

0°C to 45°C

Relative Humidity

35% to 95%, non-condensing

Environmental Rating

IP54 (front), IP30 (housing)

Dimensions

140mm wide x 100mm tall x 44mm deep (PM240)
140mm wide x 100mm tall x 65mm deep (PM240E)

Outputs (PM240E only)

4 analogue outputs, 0 to 10 V DC,
16 programmable alarm outputs, 12/24 V DC,
700 mA, (3 A max. per block of 8 outputs).

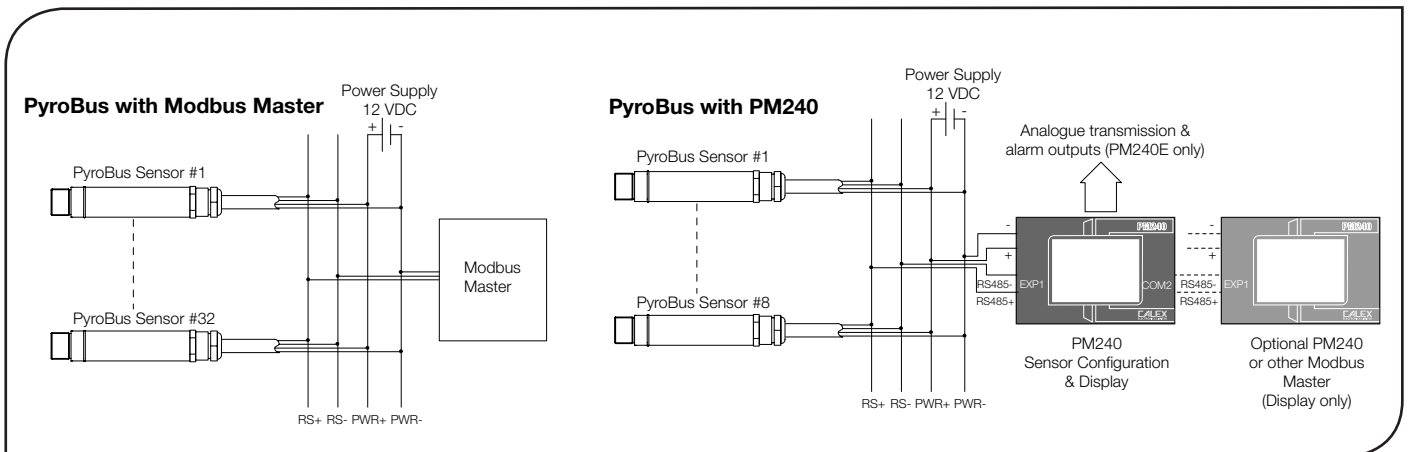
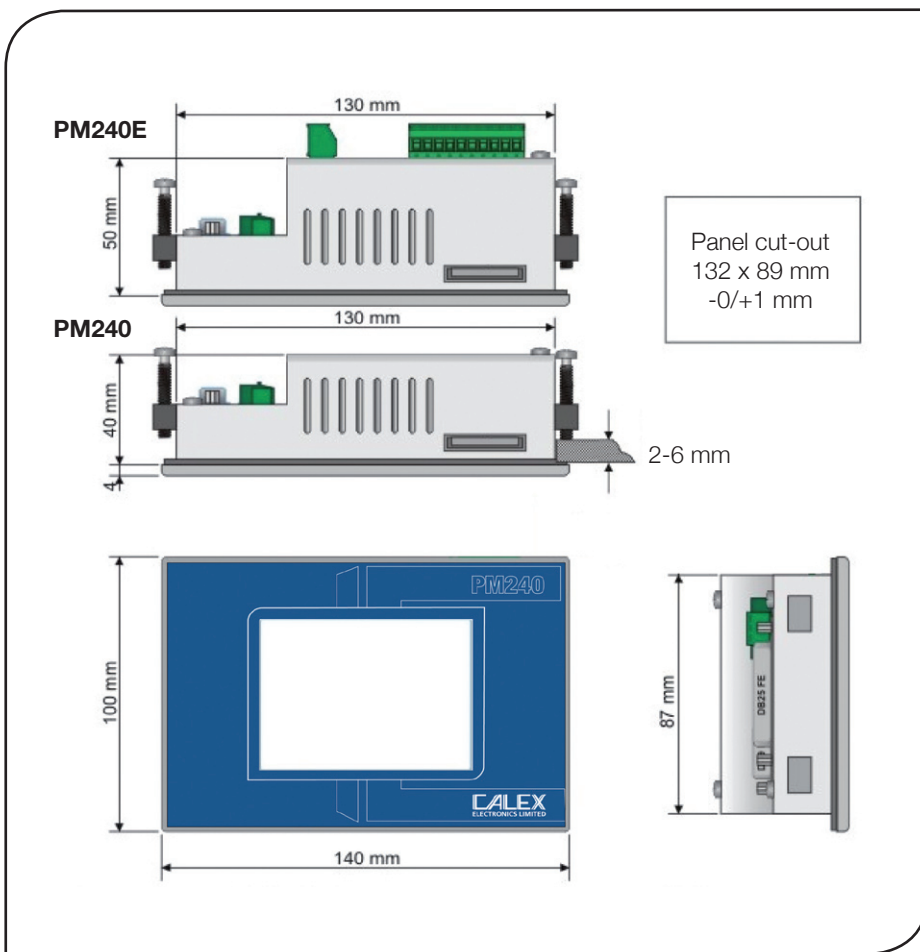
HARDWARE AND SOFTWARE DATA

Serial port EXP1

RS485 Modbus RTU interface for PyroBus sensors

Serial port COM2

RS485 / RS232 interface for second display (read only)



All PyroBus Series Sensors are supplied with a stainless steel mounting nut and are easy to install.

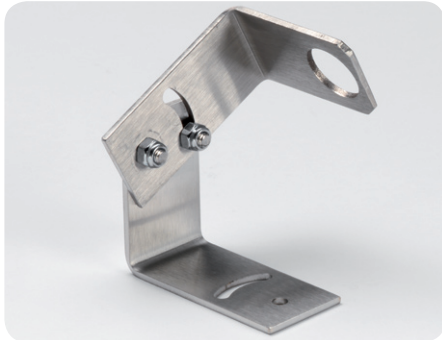
Standard sensors will operate in ambient temperatures up to 70°C. For more hostile environments or difficult mounting conditions a wide range of accessories is available.

ACCESSORIES



FIXED MOUNTING BRACKET

The L-shaped fixed mounting bracket offers a rigid support for the sensor and allows fine adjustment in a single plane.



ADJUSTABLE MOUNTING BRACKET

The adjustable mounting bracket consists of a fixed mounting bracket plus another L-shaped bracket. When assembled as shown the adjustable mounting bracket offers a rigid support for the sensor and allows fine adjustment in two planes.



AIR PURGE COLLAR

The air purge collar is used to keep dust, fumes, moisture and other contaminants away from the lens. Air flows into the fitting on the side and out of the aperture at the front.



AIR/WATER COOLED HOUSING

The air/water cooled housing allows the sensor to withstand ambient temperatures which exceed the normal 70°C limit. Air or water (depending on the degree of cooling required) flows into one of the fittings on the side and out of the other. To prevent condensation forming on the lens, the air/water cooled housing is supplied complete with an air purge collar. Please note, the air/water cooled housing must be ordered with the sensor and cannot be fitted by the user.



LASER SIGHTING TOOL

The Laser Sighting Tool screws onto the front of the sensor during installation and indicates precisely where the sensor is aiming. Once the sensor has been aimed at the centre of the target and locked in position the Laser Sighting Tool can be removed. The laser is activated by means of a push button on the front of the tool which has a latching mechanism.