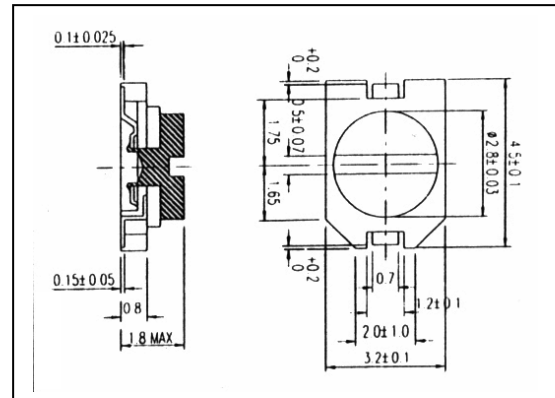
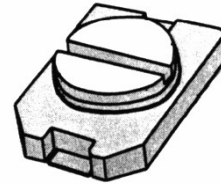


SMD – TRIMMER CAPACITOR

TECHNISCHE DATEN TECHNICAL DETAILS

Nennspannung Voltage Rating	100 VDC
Durchschlagsfestigkeit Dielectric withstd. voltage	220 VDC
Temperaturbereich Operating temp. range	- 25 + 85°C
Drehmoment Rotation torque	0.15 1.0 Ncm
Isolationswiderstand Insulation resistance	≥ 100000 M Ω
Lötbedingungen Solder conditions	240°C / 20 sec.

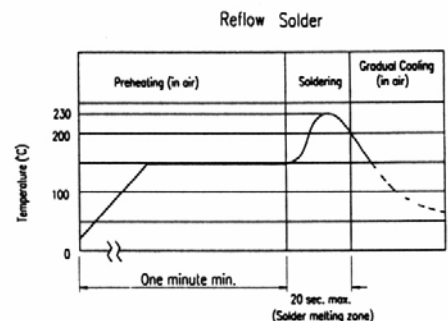
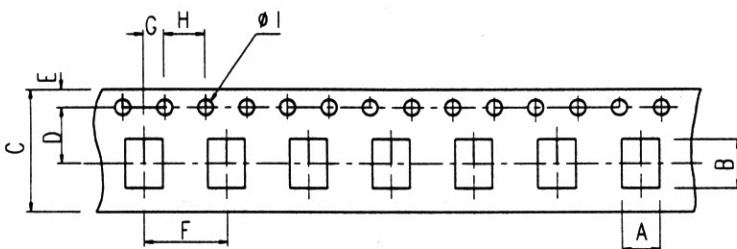


C _{MAX} pF	C _{MIN} pF	Q 1 MHz/C _{MAX}	TK ppm/°C	Kodierung Code	Best. Nr. Order No.
3.0	1.8	> 300	NP ± 300	blau / blue	103 1SC01 003
6.0	2.5	> 500	NP ± 300	blau / blue	103 1SC01 006
10.0	3.5	> 500	NP ± 300	weiß / white	103 1SC01 010
20.0	5.5	> 300	N900 ± 350	rot / red	103 1SC01 020
30.0	7.5	> 300	N1100 ± 450	grün / green	103 1SC01 030

Verpackung
Packing

Bulk : 500 pcs / bag
Reel 1 : 500 pcs / reel
Reel 2 : 2500 pcs / reel

Empfohlenes Lötprofil
Standard solder profile



Danfoss Solder

A	B	C	D	E	F	G	H	K	t	I
3.6±0.1	4.9±0.1	12.0±0.3	5.5±0.1	1.75±0.1	8.0±0.1	2.0±0.1	4.0±0.1	2.3±0.1	0.3±0.05	1.5±0.1